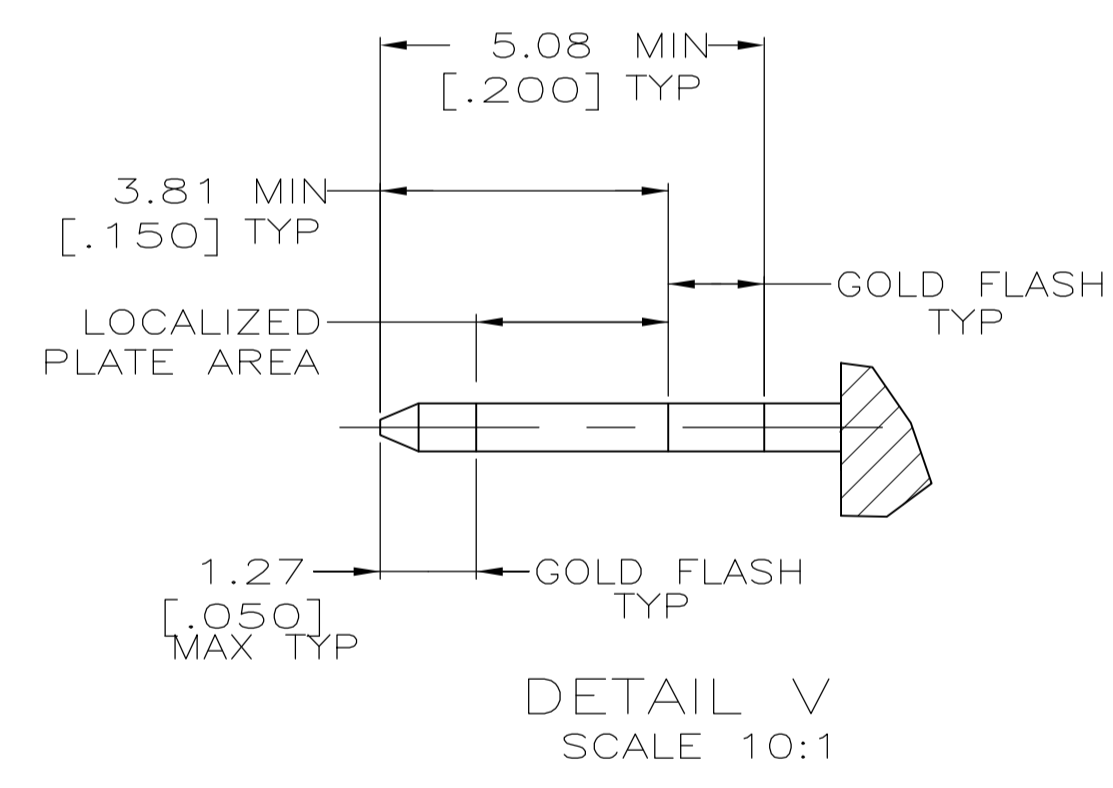
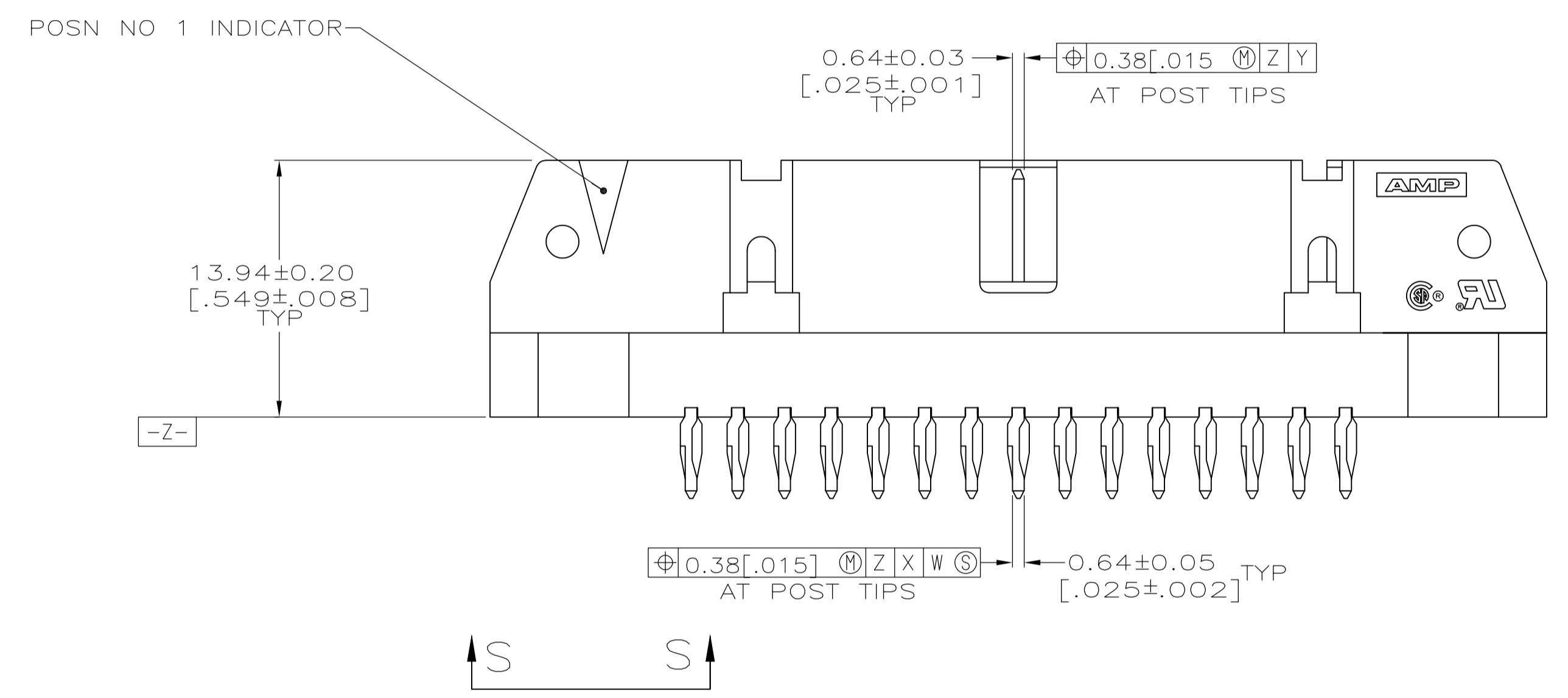
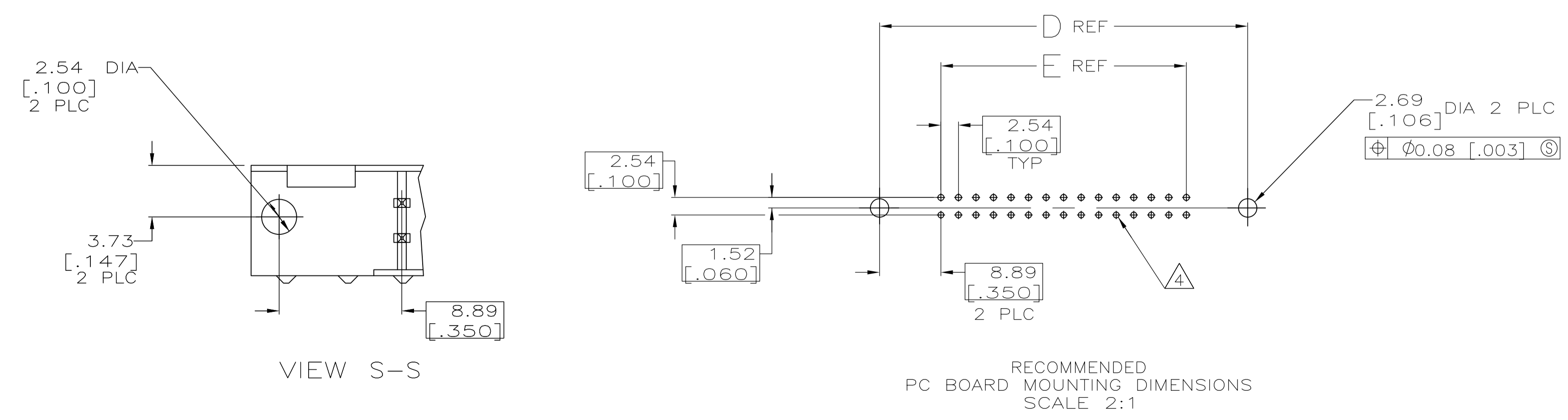


- △ COORDINATE DIMENSION APPLIES FROM BASIC LOCATION.
- △ 10 AND 14 POSITION SIZES CONTAIN ONLY ONE SLOT FOR SNAP-IN POLARIZER (MILITARY POLARIZATION) LOCATED AS SHOWN.
- △ 10 POSITION SIZES CONTAIN ONLY ONE SLOT FOR DUAL POLARIZATION, LOCATED AS SHOWN.
- △ REFER TO APPLICATION SPECIFICATION 114-40020 FOR HOLE SIZE AND FINISH RECOMMENDATIONS.
- △ POSTS: GOLD FLASH OVER PALLADIUM-NICKEL PLATE, 0.76μm[.000030] MIN TOTAL ON THE LOCALIZED PLATE AREA, 2.54μm[.000100] MIN TIN-LEAD PLATE ON THE TAIL, 1.27μm[.000050] MIN NICKEL UNDERPLATE ON THE ENTIRE POST.
-OR-
0.76μm[.000030] MIN GOLD PLATE ON THE LOCALIZED PLATE AREA, 2.54μm[.000100] MIN TIN-LEAD PLATE ON THE TAIL, 1.27μm[.000050] MIN NICKEL UNDERPLATE ON THE ENTIRE POST.



OBSOLETE	53.34	71.12	75.18	71.12	60.96	44	1-499582-3
	2.100	2.800	2.960	2.800	2.400		
	78.74	96.52	100.58	96.52	86.36	64	1-499582-2
	3.100	3.800	3.960	3.800	3.400		
	73.66	91.44	95.50	91.44	81.28	60	1-499582-1
	2.900	3.600	3.760	3.600	3.200		
	60.96	78.74	82.80	78.74	68.58	50	1-499582-0
	2.400	3.100	3.260	3.100	2.700		
	48.26	66.04	70.10	66.04	55.88	40	499582-9
	1.900	2.600	2.760	2.600	2.200		
40.64	58.42	62.48	58.42	48.26	34	499582-8	
1.600	2.300	2.460	2.300	1.900			
35.56	53.34	57.40	53.34	43.18	30	499582-7	
1.400	2.100	2.260	2.100	1.700			
30.48	48.26	52.32	48.26	38.10	26	499582-6	
1.200	1.900	2.060	1.900	1.500			
27.94	45.72	49.78	45.72	35.56	24	499582-5	
1.100	1.800	1.960	1.800	1.400			
22.86	40.64	44.70	40.64	30.48	20	499582-4	
.900	1.600	1.760	1.600	1.200			
17.78	35.56	39.62	35.56	25.40	16	499582-3	
.700	1.400	1.560	1.400	1.000			
15.24	33.02	37.08	33.02	22.86	14	499582-2	
.600	1.300	1.460	1.300	.900			
10.16	27.94	32.00	27.94	17.78	10	499582-1	
.400	1.100	1.260	1.100	.700			
E	D	C	B	A	NO OF POSN	PART NUMBER	



THIS DRAWING IS A CONTROLLED DOCUMENT.

DIMENSIONS: mm [INCHES]	TOLERANCES UNLESS OTHERWISE SPECIFIED:	DIN H MOLL 9-21-90	9-28-90	Tyco Electronics Corporation Harrisburg, PA 17105-3608
0 PLC ± -	1 PLC ± -	2 PLC ± 0.13[.005]	3 PLC ± -	4 PLC ± -
ANGLES ± -	FINISH △	APVO R KILE 10-3-90	NAME	HEATER ASSY, UNIVERSAL, AMP-LATCH
MATERIAL: HOUSING & LATCHES: GLASS FILLED NYLON OR POLYESTER, 90%-10% NYLON. POSTS: PHOS BRONZE		PRODUCT SPEC 108-40018	APPLICATION SPEC 114-40020	SIZE: A1
		WEIGHT	CAGE CODE: 00779	DRAWING NO: 499582
		CUSTOMER DRAWING	SCALE: 4:1	SHEET 1 OF 1 REV P